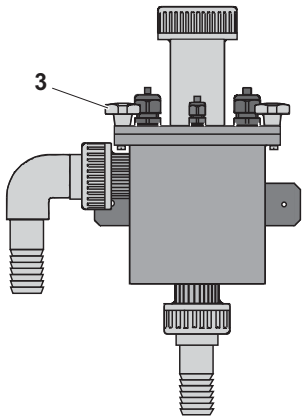


Cleaning the vessel



- 1 Dismount all sensors.
- 2 Unscrew the star knob screws (3) and remove the lid.
- 3 Clean the vessel.
- 4 Remount the lid.

Technical data

Dimensions

Height x width x depth (with fittings)

approx. 370 x 275 x 160 mm

Diameter of the vessel

125 mm

Diameter of the lid

155 mm

Volume of the vessel

approx. 1100 mL

Inlet / outlet

Tube fitting, nominal width 25 mm

Min. flow quantity

2 ... 7 L/min (depending on sensor)

Max. flow quantity

approx. 30 L/min

Material

PVC

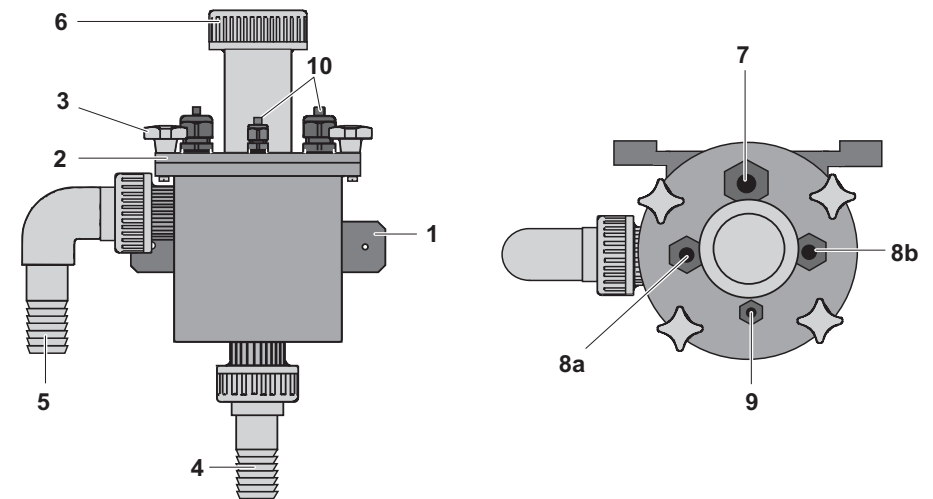
Max. pressure

< 1 bar



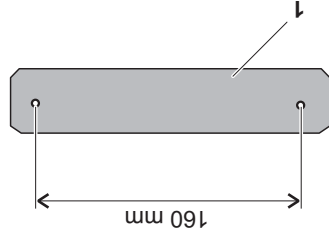
a xylem brand

Flow-Through Vessel D 700/N



- 1 Holding device
- 2 Lid to install 5 sensors
- 3 Star knob screw to fix the lid
- 4 Inlet with fitting for flexible pressure tubing, nominal width 25 mm
- 5 Outlet with fitting for flexible pressure tubing, nominal width 25 mm
- 6 Central sensor position (40.5 mm Inside diameter)
- 7 Sensor position (M25 x 1.5)
- 8 Sensor position (M20 x 1.5)
- 9 Sensor position (M12 x 1.5)
- 10 Stopper

Montage / Assembly



1 Mount the flow-through vessel at a suitable place using the holding device (1).

2 Connect the inlet and outlet tubes, and secure them with tube clamps.

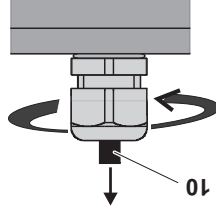


The tubes can be connected more easily when the fittings are unscrewed.

Mounting of sensors

| Position* | Dimension | Dimension | Clamp range | Sensors |
|-----------|-------------|-----------|-------------|-----------------------------|
| 6 | d = 40,5 mm | M25 x 1,5 | - | see table 2 |
| 7 | M25 x 1,5 | M20 x 1,5 | 9 - 17 mm | e. g. TetraCon® 325 |
| 8a, 8b | M12 x 1,5 | M12 x 1,5 | 7 - 13 mm | e. g. Sensolyt®-SE/GD/EC/Pt |
| 9 | M12 x 1,5 | M12 x 1,5 | 3 - 7 mm | e. g. TFK 325 |

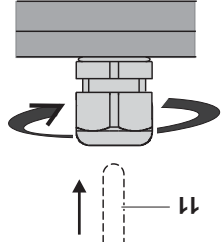
* according to the figure on page 1



Sensor positions 7, 8, 9:

2 Unscrew the screw connection and remove the stopper (10).

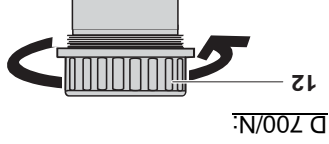
Sensor position 6:



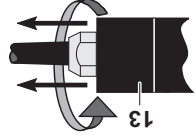
3 Insert the sensor (11) and carefully fix it using the nut.

4 Select the adapter according to the table:

| Sensor | Adapter | Order no. |
|---|----------|-----------|
| TetraCon® 700 | ADA-DF 3 | 203 765Y |
| TriOxmatic® 690 / 700 / 701 / 700 IN; CelloX® 700; TetraCon® 700 IQ; Sensolyt® 700 IQ | ADA-DF 2 | 203 763Y |
| TriOxmatic 700 IQ / 701 IQ / 700 IQ IN; CelloX 700 IQ | ADA-DF 1 | 203 761Y |

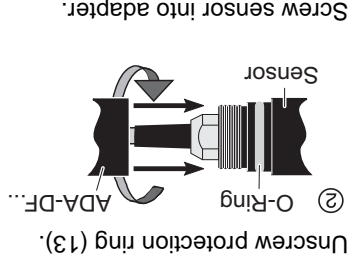


Sensor:



6

ADA-DF-2 and 3 (see left side): Connect the sensor to the adaptor, put it in the mounting position and fix it using the swivel nut (12).



Screw sensor into adapter.



ADA-DF 1: see installation manual of the adapter.